

Surge Protection Video Surveillance System

Due to a very high security demands video surveillance systems became part of our every day's life. They are present everywhere, also in high inhabited areas as also there, where requirements after protecting material goods, cultural inheritance are and anywhere else, where the surveillance in sensitive industrial technological procedures is necessary.



Despite wide circulation and various offers of surge arresters on market there are only a few manufacturers which offer so integrated protection as product PCC-H1. One of the basics for effective protection of electronic devices against the influences of overvoltage is achieved by protecting every conducting path, which in anyway connects protected device with surroundings. Usually protection of devices is made up of several separate protection modules, one for protecting electricity and the other for protecting signal connections.

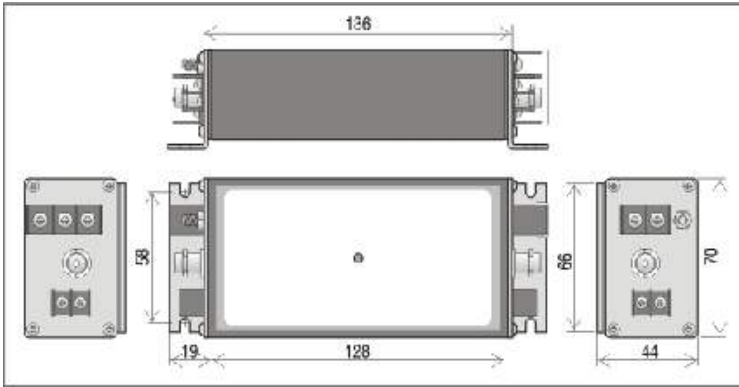


Surge protection device PCC-H1 offers more. In one device are integrated three protections, which are designed for protecting chargeable line of video surveillance system, signal line on which video data is transmitting and signal line for controlling video camera. PCC-H1 is so all-round device that catches the name "Three in one."

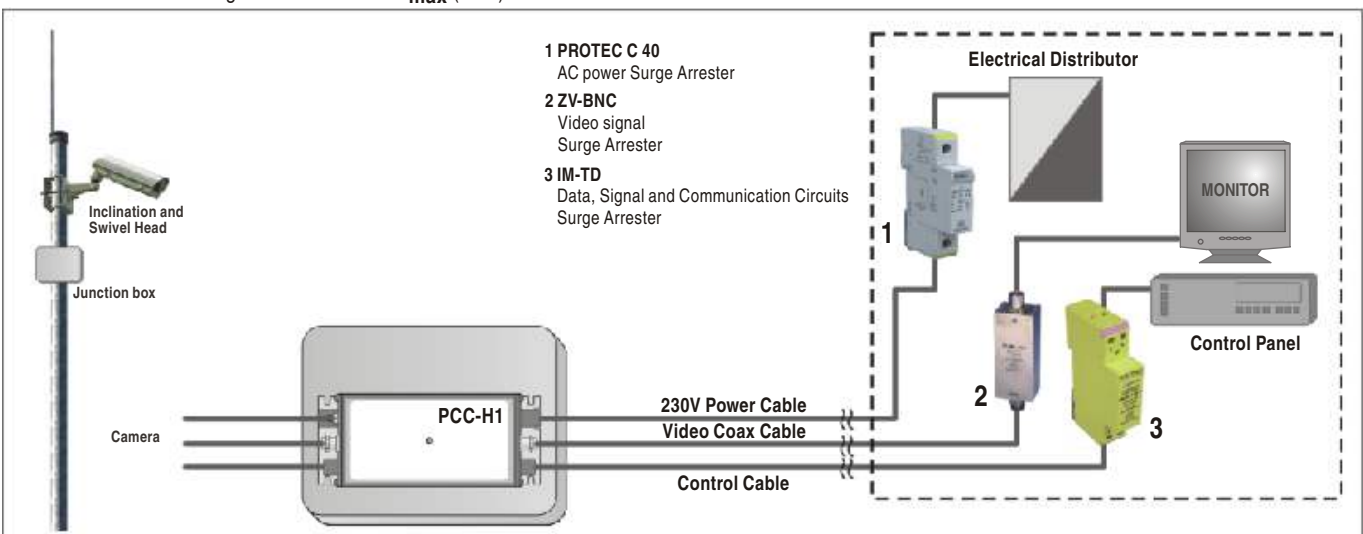


ISKRA ZAŠČITE

Surge Protection Video Surveillance System



Technical Data		PCC-H1
Protection Construction		AC power line / Video / control line
Number of protected lines		3
AC power line protection		
Max. operating voltage	U_c	320VAC
Residual voltage	U_p	1.5kV
Nominal discharge current	I_n (8/20)	20kA
Max. discharge current	I_{max} (8/20)	40kA
BNC Video protection		
Max. operating voltage	U_c	$\pm 14V_{DC}$
Residual voltage	U_p	15V
Nominal discharge current	I_n (8/20)	10kA
Max. discharge current	I_{max} (8/20)	20kA
Limit frequency	f_G	> 100MHz (< 0.2dB)
DC control line protection		
Max. operating voltage	U_c	28VDC
Residual voltage	U_p	15V
Nominal discharge current	I_n (8/20)	10kA
Max. discharge current	I_{max} (8/20)	20kA



ISKRA ZAŠČITE

d.o.o., Surge Voltage Protection Systems, Engineering and Cooperation; Stegne 35, 1521 Ljubljana, Slovenia, EU
Phone: +386(1)5003 102; Fax: +386(1)5003 236; e-mail: sales@iskrazascite.si; www.iskrazascite.si