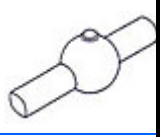
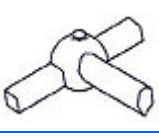
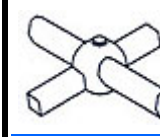
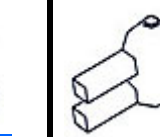
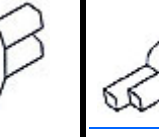
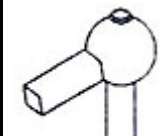
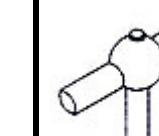
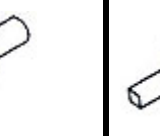
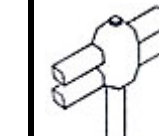


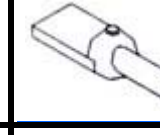
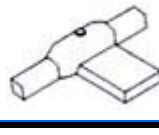
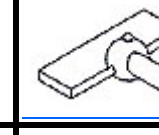
Sovereign Cu-Tech Exothermic Joints Index

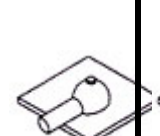
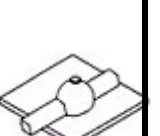
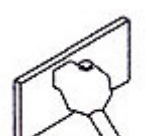
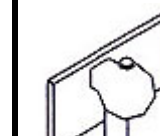
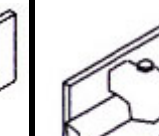
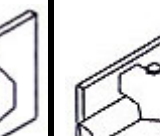
This is an outline of the more common exothermic joints for earthing/grounding systems. The Sovereign Cu-Tech range can be adapted to most applications and we are able to advise and help with designing and producing a mould for your particular application.

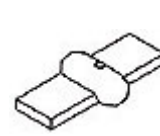
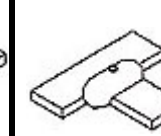
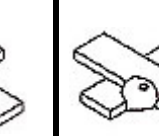
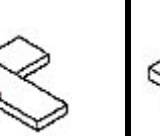
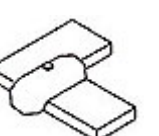
Please contact the sales office or your local Sovereign EPS distributor for more information

Stranded : Stranded Solid : Solid					
Connection	SS1	SS2	SS3	SS4	SS5

Stranded : Earth Rod Solid : Earth Rod				
Connection Type	SE1	SE2	SE3	SE4

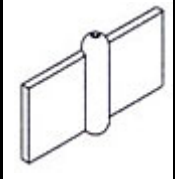
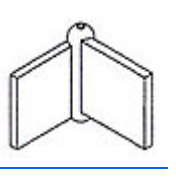
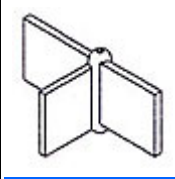
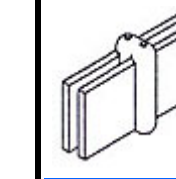
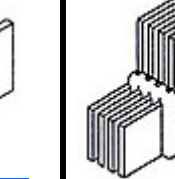
Stranded : Flat Solid : Flat			
Connection Type	SF1	SF2	SF3

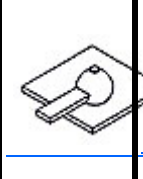
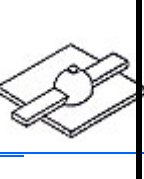
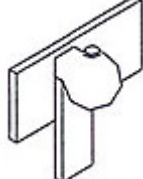
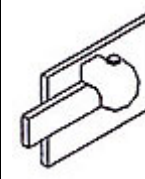
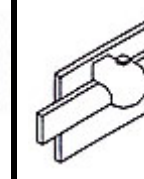
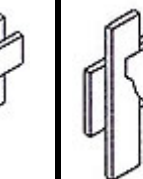
Stranded : Surface Solid : Sur- face						
---	---	---	---	--	---	---



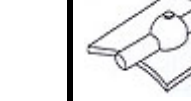
Flat : Flat					
Connection Type	FF1	FF2	FF3	FF4	FF5

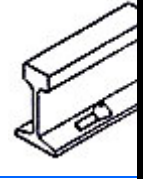
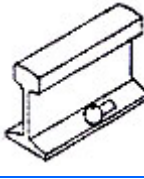
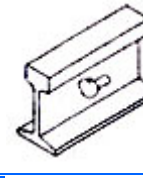
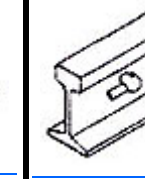
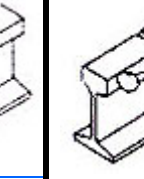
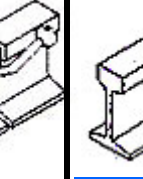
Once you have selected the joint configuration you require please contact Sovereign EPS for more information regarding the exothermic kit you will require
info@sovereign-eps.com

Sovereign Cu-Tech Exothermic Joints Index

Flat : Flat					
Connection Type	FF7	FF8	FF9	FF10	FF14

Flat : Sur-face						
Connection	FP1	FP2	FP3	FP4	FP5	FP6

Stranded : Pipe Solid : Pipe				
Connection	ST1	ST2	ST3	ST4

Rail Bonds						
Connection Type	SR1-L	SR2-R	SR3-R	SR4-L	SR5-L & SR6-R	SR7

Once you have selected the joint configuration you require please contact Sovereign EPS for more information regarding the exothermic kit you will require
info@sovereign-eps.com